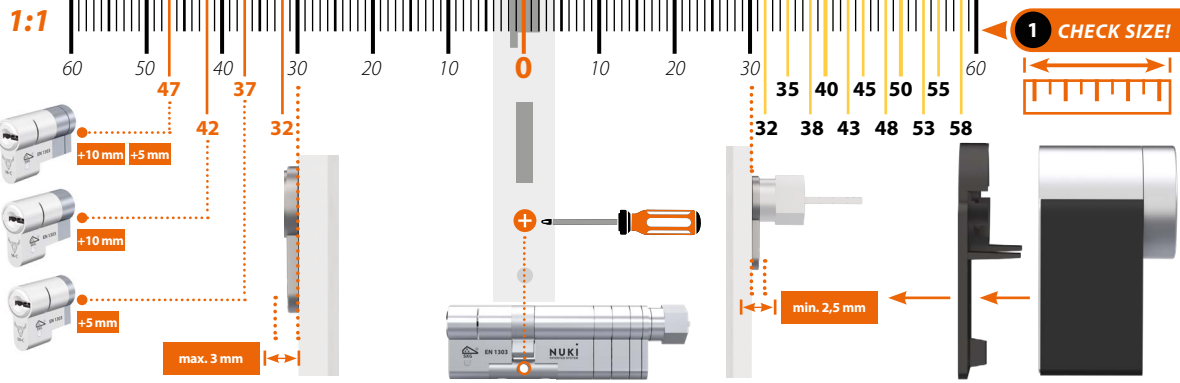




M&C

INSTRUCTION MANUAL

NUKI UNIVERSAL CYLINDER



Contents

1x 32/32+25



1x 37/NUKI

1x 42/NUKI

1x 47/NUKI



1x +5 mm

1x +10 mm

HEX 2,5

- 1x +2,5mm
- 1x +5 mm
- 1x +7,5 mm
- 1x +10 mm



1x +7,5 mm

1x +25 mm

Outside

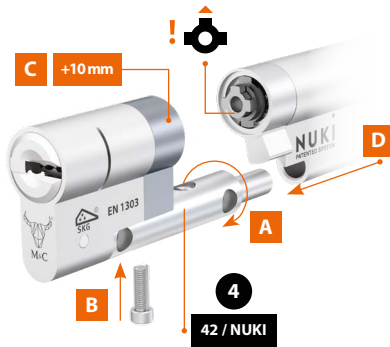


2

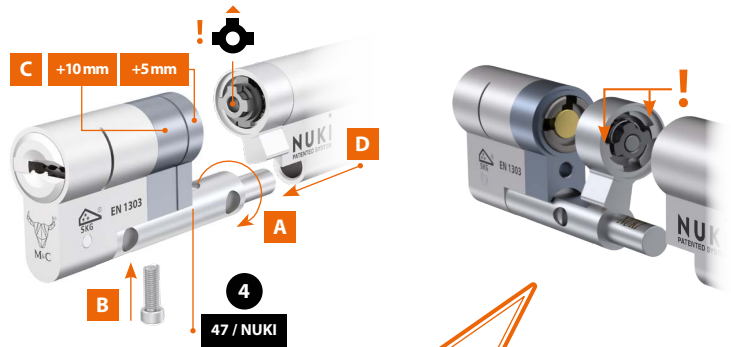
3



4
37 / NUKI



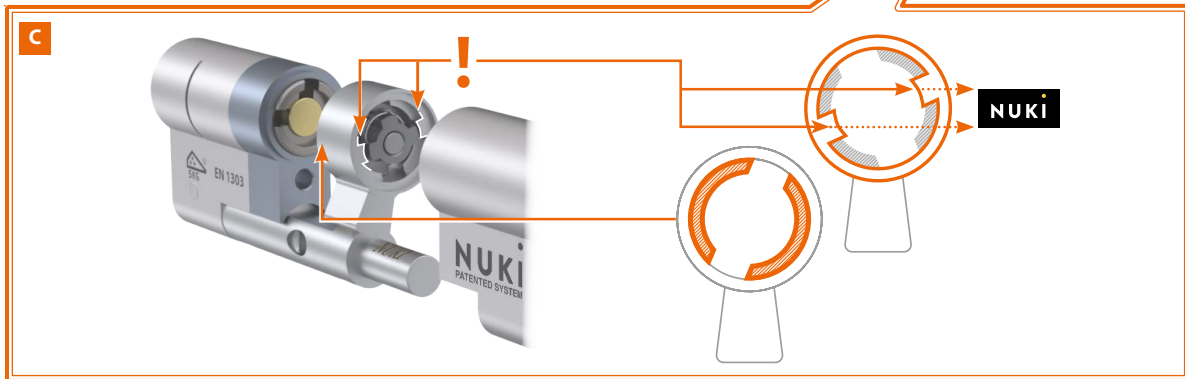
4
42 / NUKI

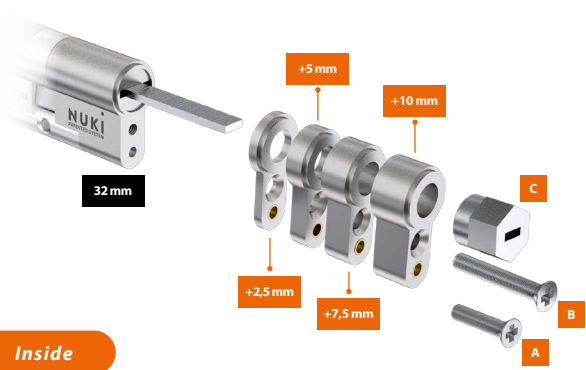


4
47 / NUKI

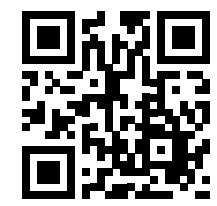
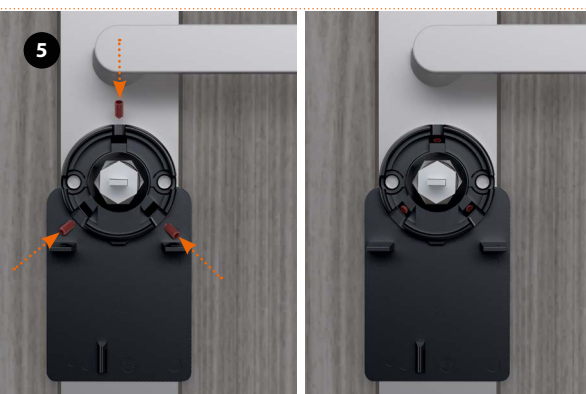
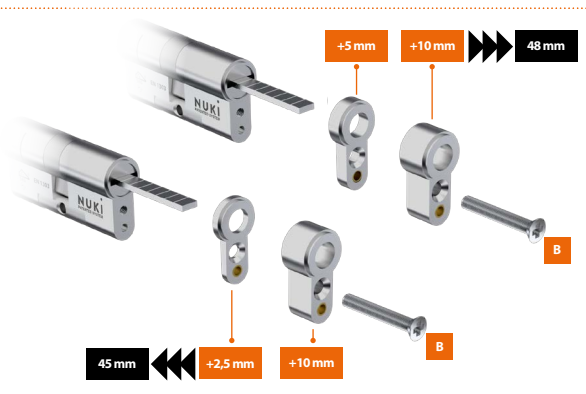


5





Inside



NUKI WEBPAGE